

# Testing 4G Ahead of the Curve

Fanny Mlinarsky  
octoScope

# Speakers

- **David Gehringer**  
Vice President of Marketing  
Fanfare Software
- **Graham Celine**  
Senior Director of Marketing  
Azimuth
- **Moderator**
  - Fanny Mlinarsky, octoScope

# Testing of the Emerging Wireless Technologies

System

Roaming, handoff, security, end-to-end QoS

MAC

Access protocols, scheduling, encryption, QoS

PHY

Signal integrity, BER, coding, beamforming

Feasibility

Performance

Field Test

Interoperability

# Certification Testing Vendor and Operator Alliances



- LSTI [LTE/SAE (Service Architecture Evolution) Trial Initiative]
  - Works with **3GPP**
  - Conducts conformance and interoperability testing of LTE products
  - Begins testing early in the development process
- The WiMAX Forum
  - Defines *certification profiles* on parts of the **802.16** standard selected for deployment
  - Conducts conformance and interoperability testing
- Wi-Fi Alliance
  - Defines and conducts certification testing for **802.11** based products
  - Focuses on interoperability testing



[www.lstiforum.org](http://www.lstiforum.org)



WiMAX  
FORUM





- The scope of LSTI testing is defined by 3GPP RAN5
  - IMS testing to be performed by Global Certification Forum (GCF), which provides independent 3G interoperability testing. GCF test cases are based on the work of RAN5.
- LSTI member companies include
  - Alcatel-Lucent, Ericsson, Orange, NXP Semiconductors, Samsung, Nokia, Nokia Siemens Networks, Qualcomm Inc, Nortel, T-Mobile, Vodafone, ZTE, Agilent Technologies Inc., Anritsu, China Mobile, Huawei, LG Electronics, Motorola, NTT DoCoMo, Rohde & Schwarz, Signalion, Telecom Italia, and Telefonica

# WiMAX Forum



- IEEE 802.16 contains too many options
- The WiMAX Forum defines *certification profiles* on parts of the standard selected for deployment; promotes interoperability of products through testing and certification
- The WiMAX Forum works closely with the IEEE 802.16 *Maintenance group* to refine the standard as the industry learns from certification testing

WiMAX Forum™ Mobile System Profile  
Release 1.0 Approved Specification  
(Revision 1.6.1: 2008-04-01)



	Release 1.0	802.16e/TDD
	Release 1.5	802.16e/TDD and FDD
Future	Release 2.0	802.16m (IMT Advanced)

# Wi-Fi Alliance



- Selects subsets of 802.11 standard for certification
- Focus
  - To be announced 802.11n certification
  - 802.11n Draft 2.0 certification, 2006
  - WMM (wireless multimedia) QoS certification
  - WPA, WPA2 (wireless protected access) security certification

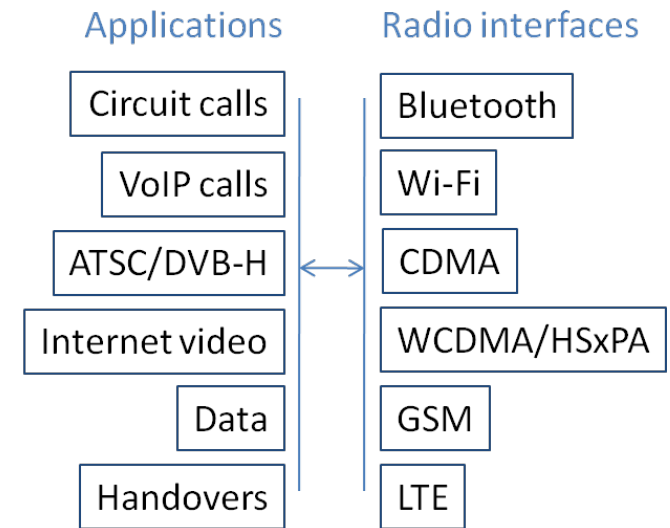
# Typical Stages of Test (LSTI example)

- Proof of concept
  - Measure the PHY capabilities as defined in the standards
- Interoperability Development Testing (IoDT)
  - Early device form factors are tested with the network infrastructure to validate signaling between the device and the EPS core
- Interoperability Testing (IoT)
- Field Trials
  - Real-world deployment testing to verify over-the-air performance, handoffs between LTE base stations, and performance while moving at different vehicular speeds.



# Test Challenges in the Modern World

- Variety and multitude of usecase scenarios to test
  - Mobility and roaming scenarios
  - Mobile applications
  - New radio interfaces
  - Interference between radios (e.g. Bluetooth® and Wi-Fi)
  - Variety of channel conditions
- Increasing diversity of metrics
  - Performance and responsiveness of mobile applications (throughput, delay, range)
  - Roaming functionality and speed
  - Simultaneous use of Bluetooth and other radios
  - Battery life in different usecase scenarios
  - New generation 3G and 4G radios running concurrently with traditional 2G devices



Exponential # of Use Cases to Test





[www.octoscope.com](http://www.octoscope.com)

[info@octoscope.com](mailto:info@octoscope.com)  
+1 (978) 376-5841